

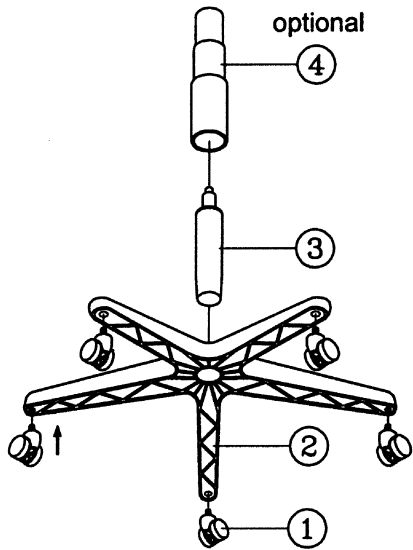
ASSEMBLY INSTRUCTION

Remove all items from the carton . Verify all pieces before assembly.

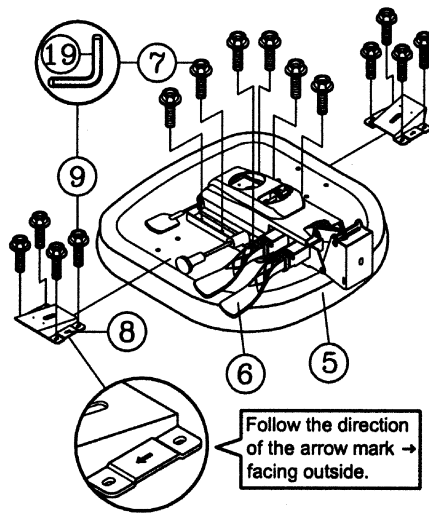
PART LIST

KEY	QTY	DESCRIPTION	KEY	QTY	DESCRIPTION	KEY	QTY	DESCRIPTION
1	5	Caster	9	8	Arm Bracket Screw	15	1	Backrest Post Bellow
2	1	Base	10	2	Armrest	16	2	Backrest Post Bellow Screw
3	1	Seat Post	11	2	Arm Width Adjustment Knob + Washers	17	1	Headrest
4	1	Seat Post Cover (optional)	12	1	Backrest	18	2	Headrest Plastic Bushing + Headrest Screw
5	1	Seat	13	4	Backrest Tight Screw	19	1	Allen Wrench
6	1	Mechanism	14	1	Backrest Tight Screw +Washers			
7	6	Mechanism Screw						
8	2	Arm Bracket						

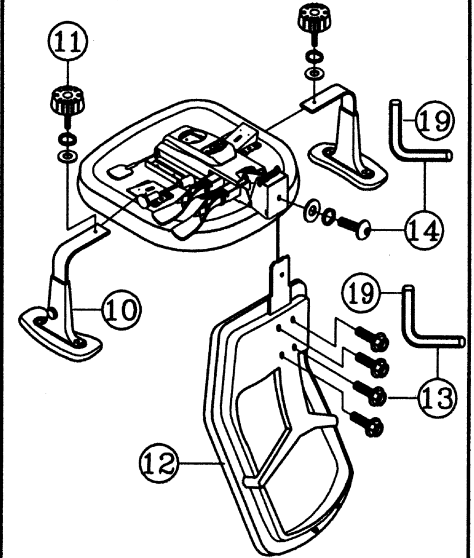
STEP 1.



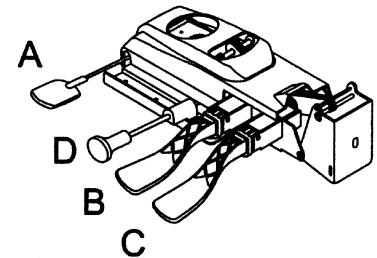
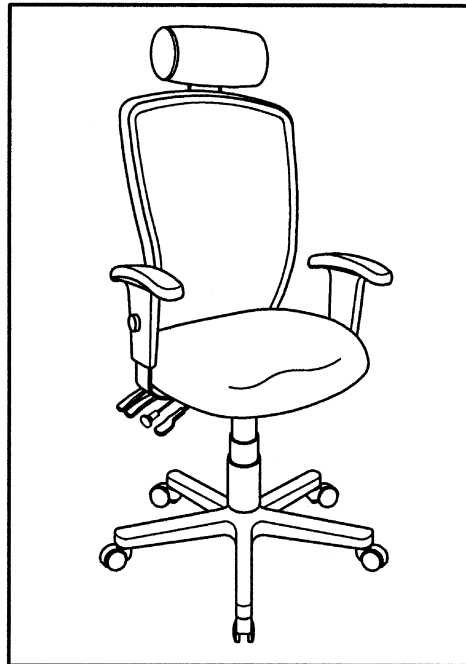
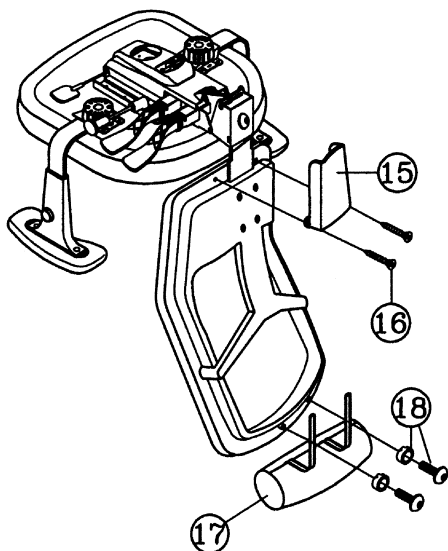
STEP 2.



STEP 3.



STEP 4.



MECHANISMS INSTRUCTIONS:

- A** Pneumatic seat height adjustment
- B** Seat angle adjustment :
Seat angle adjusts independently with a single lever.
- C** Backrest angle adjustment :
Back angle adjusts independently with a single lever.
- D** Sliding seat:
It provides seat depth adjustment for different user leg lengths.

PREVENTIVE MAINTENANCE AND WARNING!

- USE THIS PRODUCT ONLY FOR SEATING ONE PERSON AT A TIME.
- DO NOT USE THIS CHAIR AS A STEP STOOL / LADDER.
- DO NOT SIT ON ANY PART OF THE CHAIR EXCEPT THE SEAT.
- DO NOT USE CHAIR ON UNEVEN FLOOR SURFACES.
- DO NOT USE CHAIR UNLESS ALL BOLTS, SCREWS AND KNOBS ARE TIGHTENED.
- EVERY SIX MONTHS, PLEASE MAKE SURE ALL BOLTS, SCREWS AND KNOBS ARE FULLY TIGHTENED TO ENSURE STABILITY.
- IF ANY PARTS ARE MISSING, BROKEN, DAMAGED OR WORN, STOP USE OF THE PRODUCT UNTIL REPAIRS ARE MADE USING FACTORY AUTHORIZED PARTS.
- DISPOSE OF PACKAGING PROPERLY. PLASTIC BAG IS NOT A TOY. DO NOT USE PLASTIC BAG AS HEAD COVERING - IT MAY CAUSE SUFFOCATION.
- FAILURE TO FOLLOW THESE WARNINGS COULD RESULT IN SERIOUS INJURY.
- NOTE:SOME SCREWS MAY BE PREASSEMBLED. IF PREASSEMBLED, IGNORE ASSEMBLY INSTRUCTIONS.

MESH DELUXE / MESH DELUXE PRO