

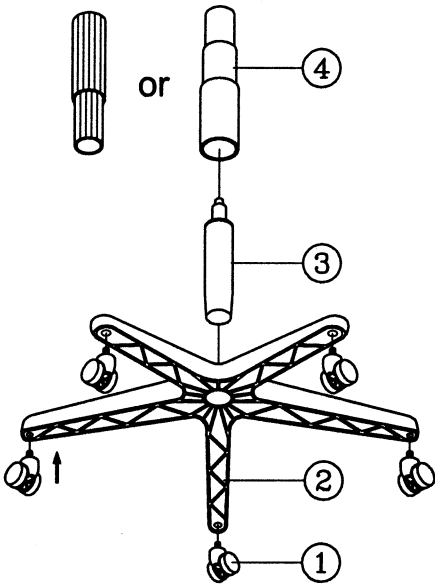
ASSEMBLY INSTRUCTION

Remove all items from the carton . Verify all pieces before assembly.

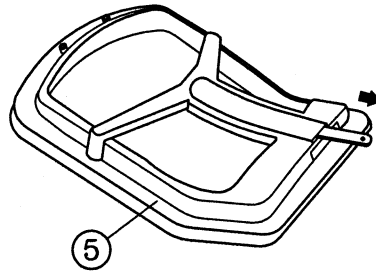
PART LIST

KEY QTY	DESCRIPTION	KEY QTY	DESCRIPTION	KEY QTY	DESCRIPTION	
1	5	Caster	8	1	Seat	
2	1	Base	9	1	Mechanism	
3	1	Seat Post	10	6	Mechanism Screw	
4	1	Seat Post Cover	11	2	Arm Bracket	
5	1	Backrest	12	8	Arm Bracket Screw	
6	1	Backrest Post	13	2	Arm Width Adjustment Knob + Washers	
7	1	Backrest Screw	14	2	Armrest	
				15	1	Backrest Tight Screw + Washers
				16	1	Backrest Post Bellow
				17	2	Backrest Post Bellow Screw
				18	1	Allen Wrench

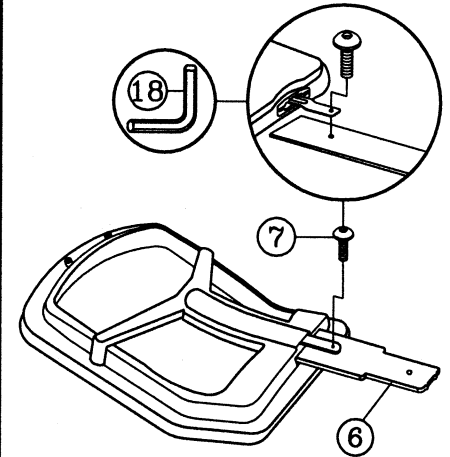
STEP 1.



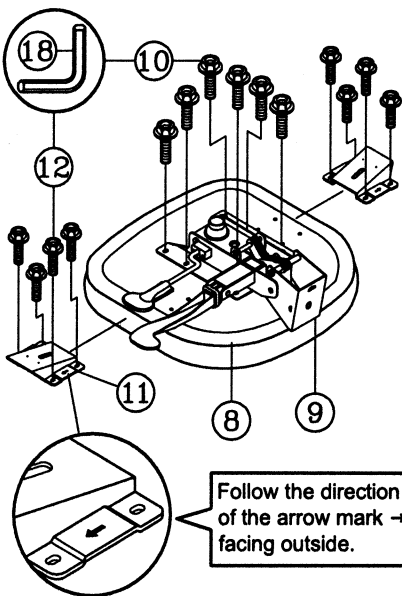
STEP 2.



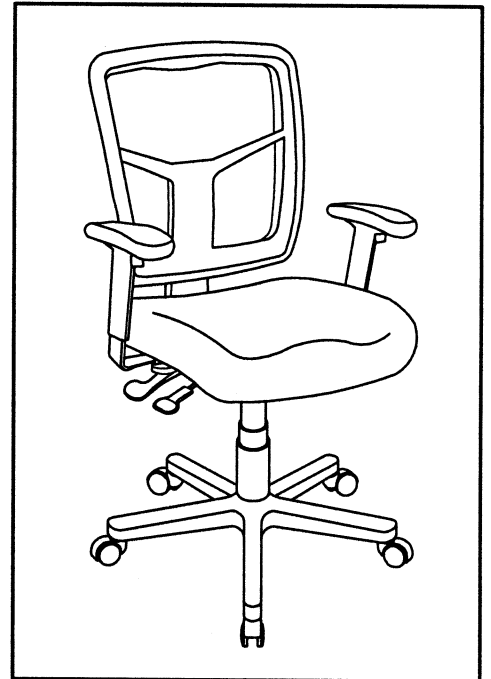
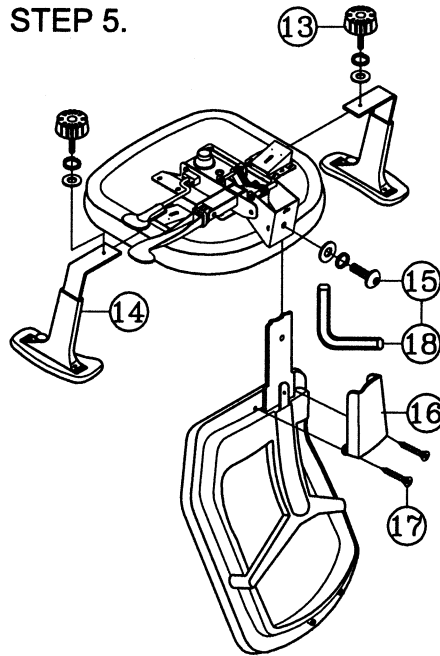
STEP 3.



STEP 4.



STEP 5.



PREVENTIVE MAINTENANCE AND WARNING!

- USE THIS PRODUCT ONLY FOR SEATING ONE PERSON AT A TIME.
- DO NOT USE THIS CHAIR AS A STEP STOOL / LADDER.
- DO NOT SIT ON ANY PART OF THE CHAIR EXCEPT THE SEAT.
- DO NOT USE CHAIR ON UNEVEN FLOOR SURFACES.
- DO NOT USE CHAIR UNLESS ALL BOLTS, SCREWS AND KNOBS ARE TIGHTENED.
- EVERY SIX MONTHS, PLEASE MAKE SURE ALL BOLTS, SCREWS AND KNOBS ARE FULLY TIGHTENED TO ENSURE STABILITY.
- IF ANY PARTS ARE MISSING, BROKEN, DAMAGED OR WORN, STOP USE OF THE PRODUCT UNTIL REPAIRS ARE MADE USING FACTORY AUTHORIZED PARTS.
- DISPOSE OF PACKAGING PROPERLY. PLASTIC BAG IS NOT A TOY. DO NOT USE PLASTIC BAG AS HEAD COVERING - IT MAY CAUSE SUFFOCATION.
- FAILURE TO FOLLOW THESE WARNINGS COULD RESULT IN SERIOUS INJURY.
- NOTE: SOME SCREWS MAY BE PREASSEMBLED. IF PREASSEMBLED, IGNORE ASSEMBLY INSTRUCTIONS.

MESH KIMBERLY W / ARM