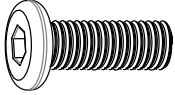
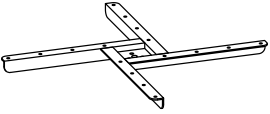


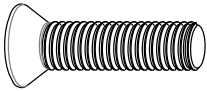
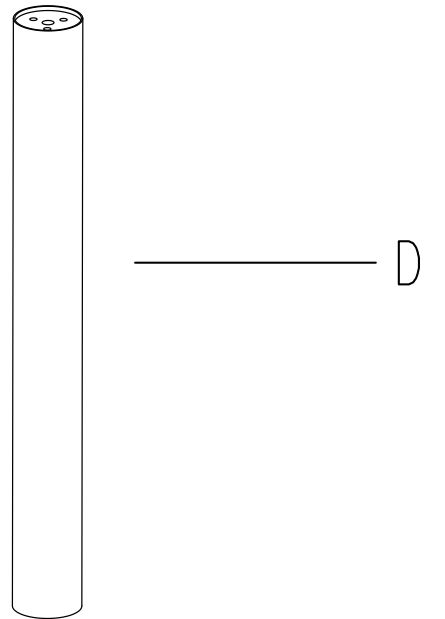
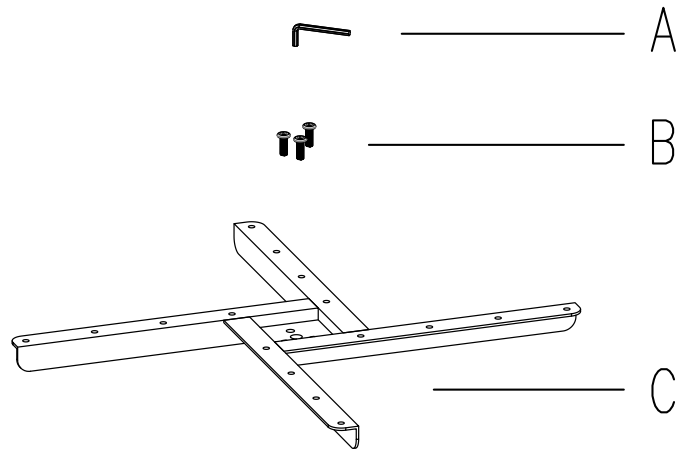
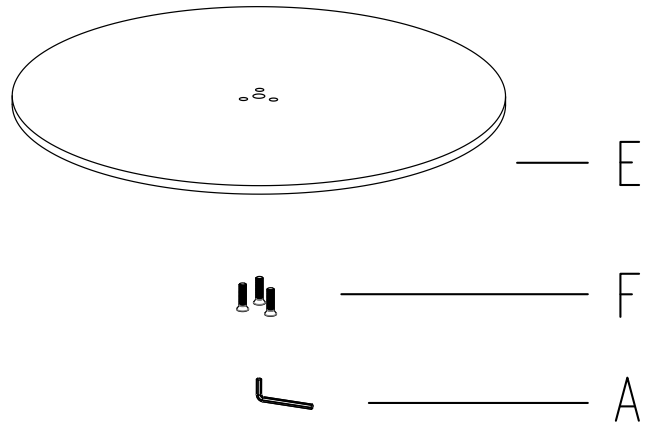
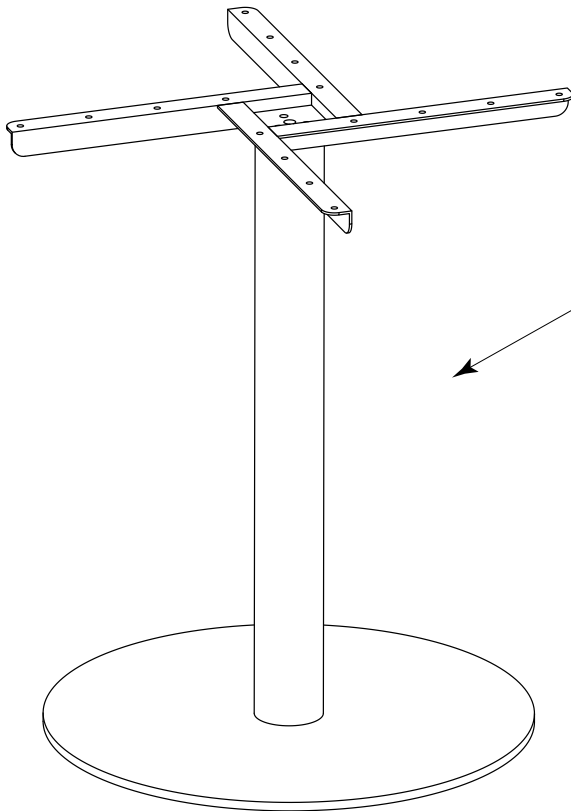
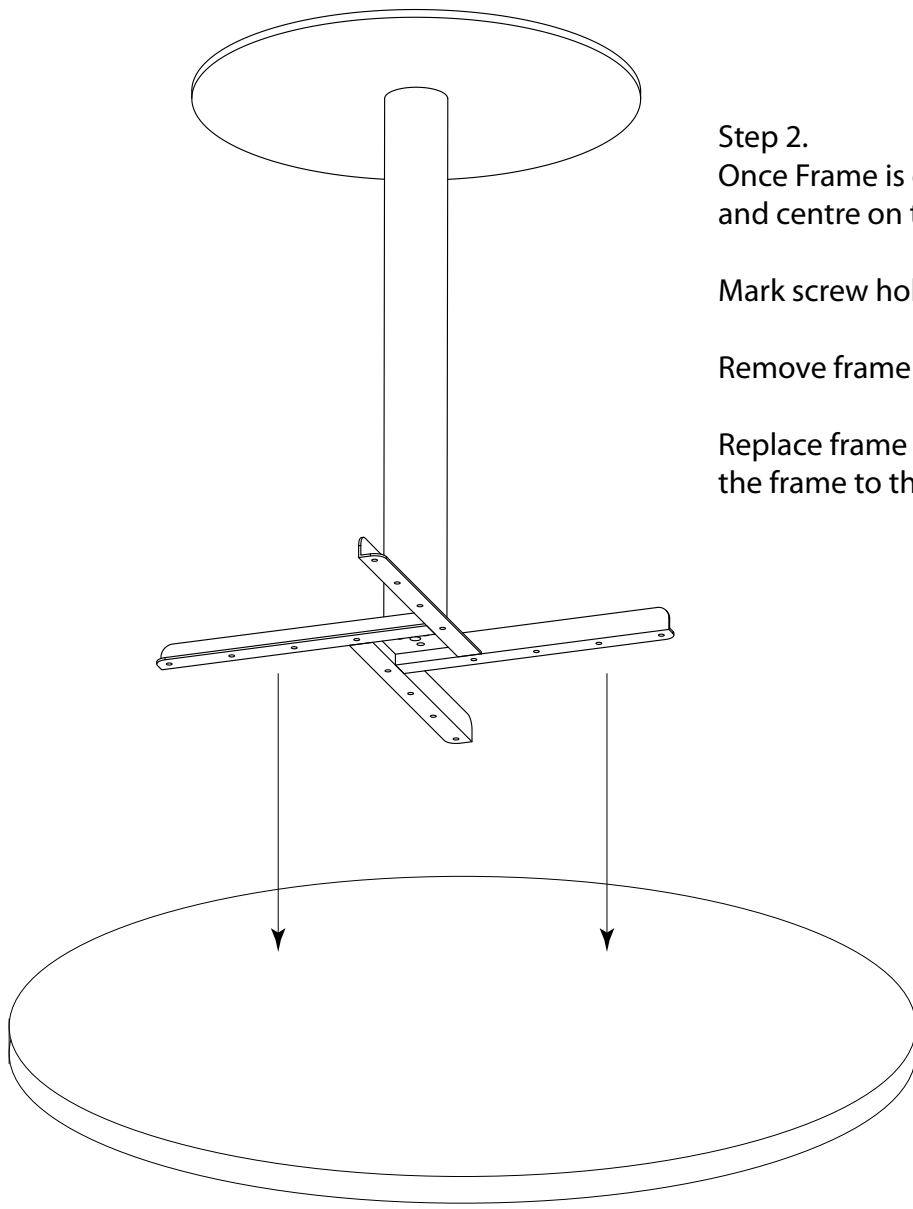
	A 1
	B
	C 1
	D 1
	E 1
	F 3



Step 1.
Build your frame





Step 2.

Once Frame is complete, ip upside down and centre on table top

Mark screw holes on table with pencil

Remove frame and pre-drill your screw holes

Replace frame onto top, upside down and screw the frame to the top.

Step 3.

Flip right side up and your table is complete.

