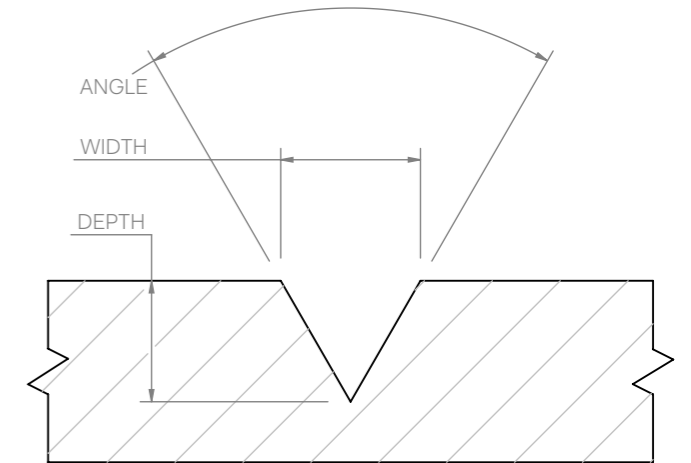
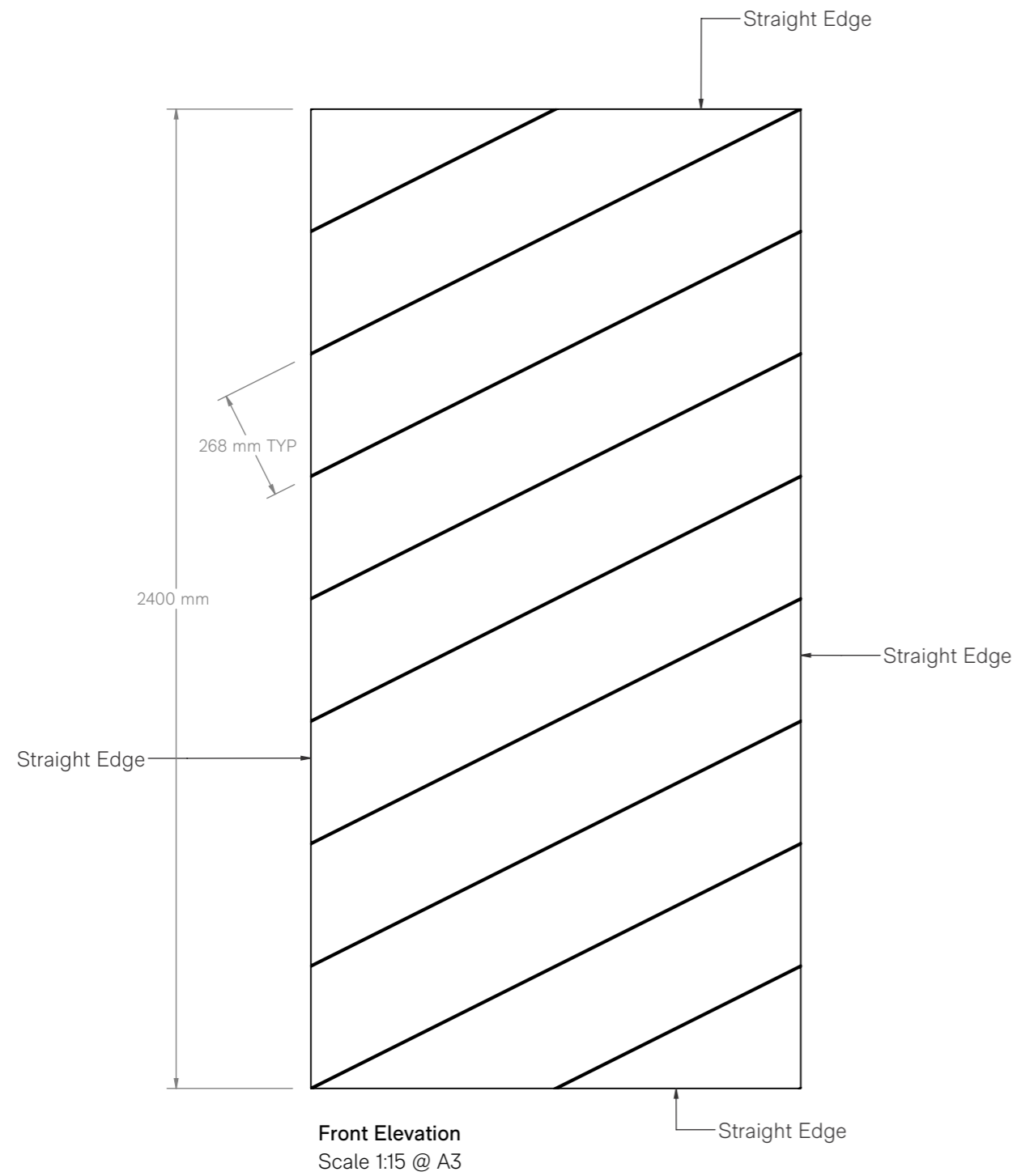


**Groove Detail**  
Scale 2:1 @ A3

Use table below to help determine dimensions above.  
Values missing from below table are not recommended

UNLESS OTHERWISE SPECIFIED ALL GROOVE TO BE  
30 DEG, AT 8 mm DEEP. AS HIGHLIGHTED ON TABLE  
BELOW

		ANGLE (deg)			
		12	30	60	90
DEPTH (mm)	1				
	2			2.4	4.1
	3			3.6	6.2
	4			4.8	8.3
	5		2.9	6.0	10.4
	6		3.4	7.2	12.4
	7		4.0	8.4	14.5
	8		4.6	9.6	16.6
	9		5.2	10.8	18.6
	10		5.7	12.0	20.7
	11	2.3	6.3	13.2	22.8
		WIDTH			

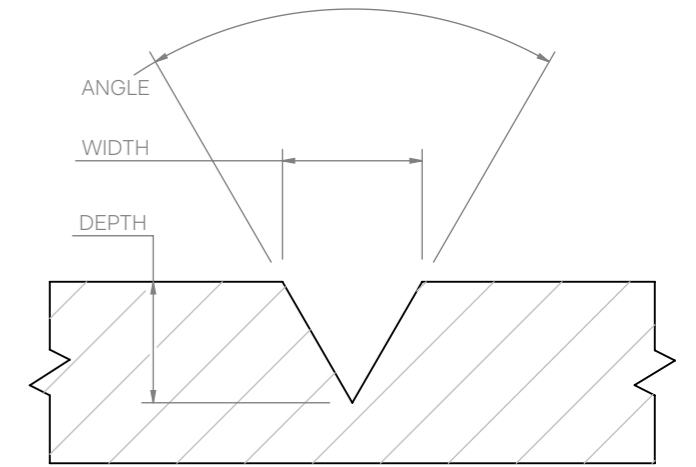
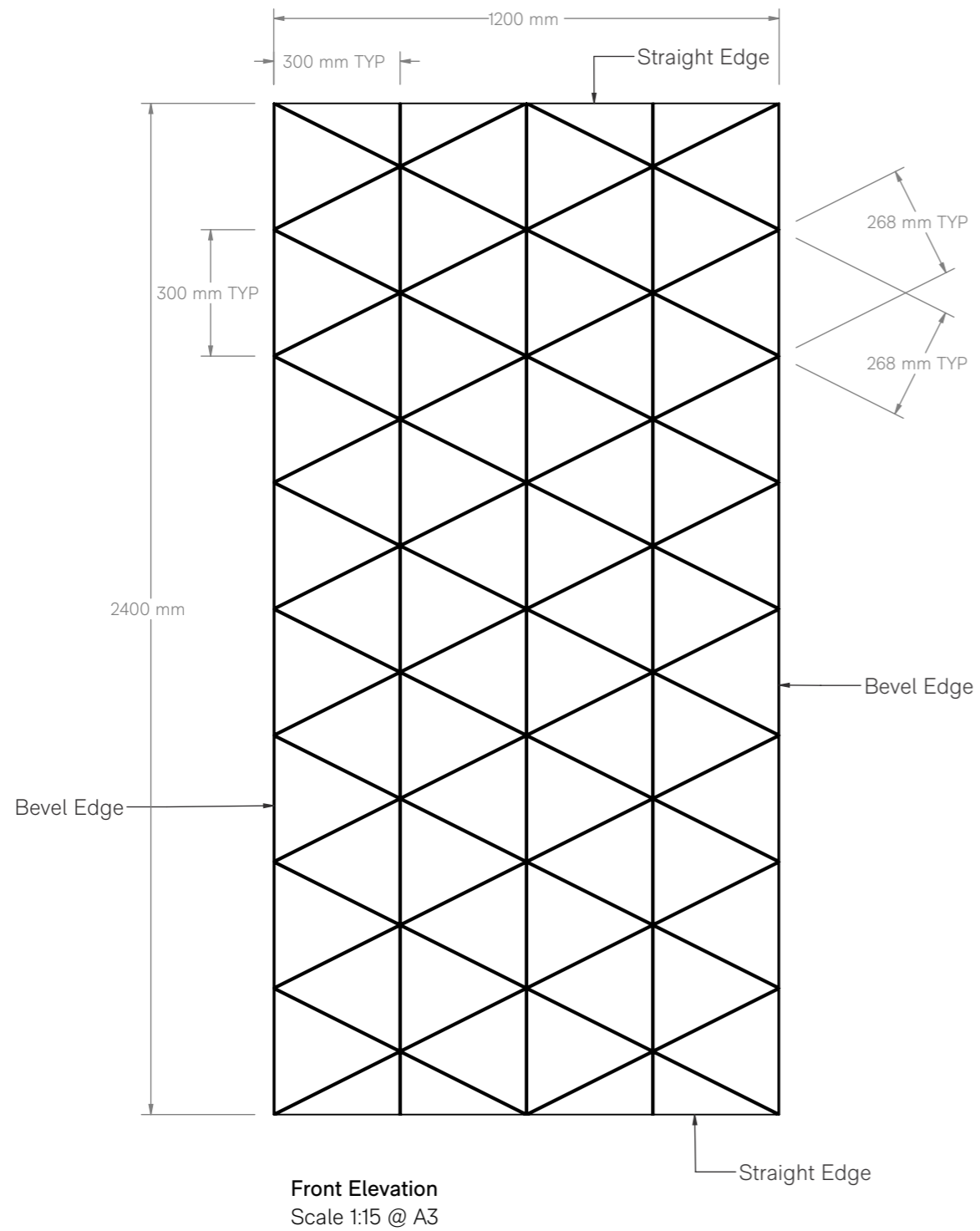


**Groove Detail**  
Scale 2:1 @ A3

Use table below to help determine dimensions above.  
Values missing from below table are not recommended

UNLESS OTHERWISE SPECIFIED ALL GROOVE TO BE  
30 DEG, AT 8 mm DEEP. AS HIGHLIGHTED ON TABLE  
BELOW

		ANGLE (deg)			
		12	30	60	90
DEPTH (mm)	1				
	2			2.4	4.1
	3			3.6	6.2
	4			4.8	8.3
	5		2.9	6.0	10.4
	6		3.4	7.2	12.4
	7		4.0	8.4	14.5
	8		4.6	9.6	16.6
	9		5.2	10.8	18.6
	10		5.7	12.0	20.7
	11	2.3	6.3	13.2	22.8
		WIDTH			

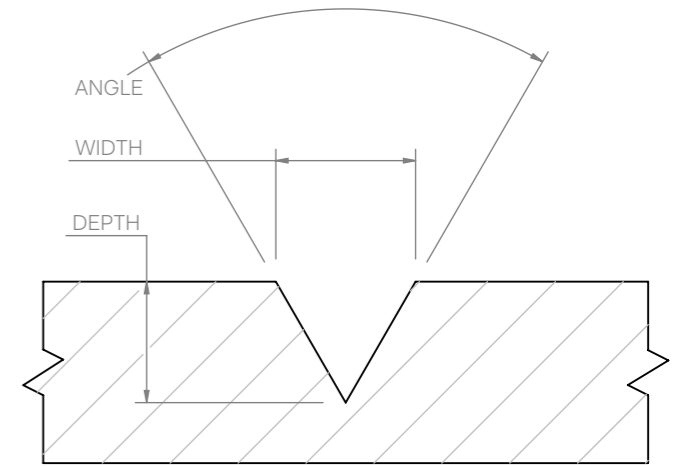
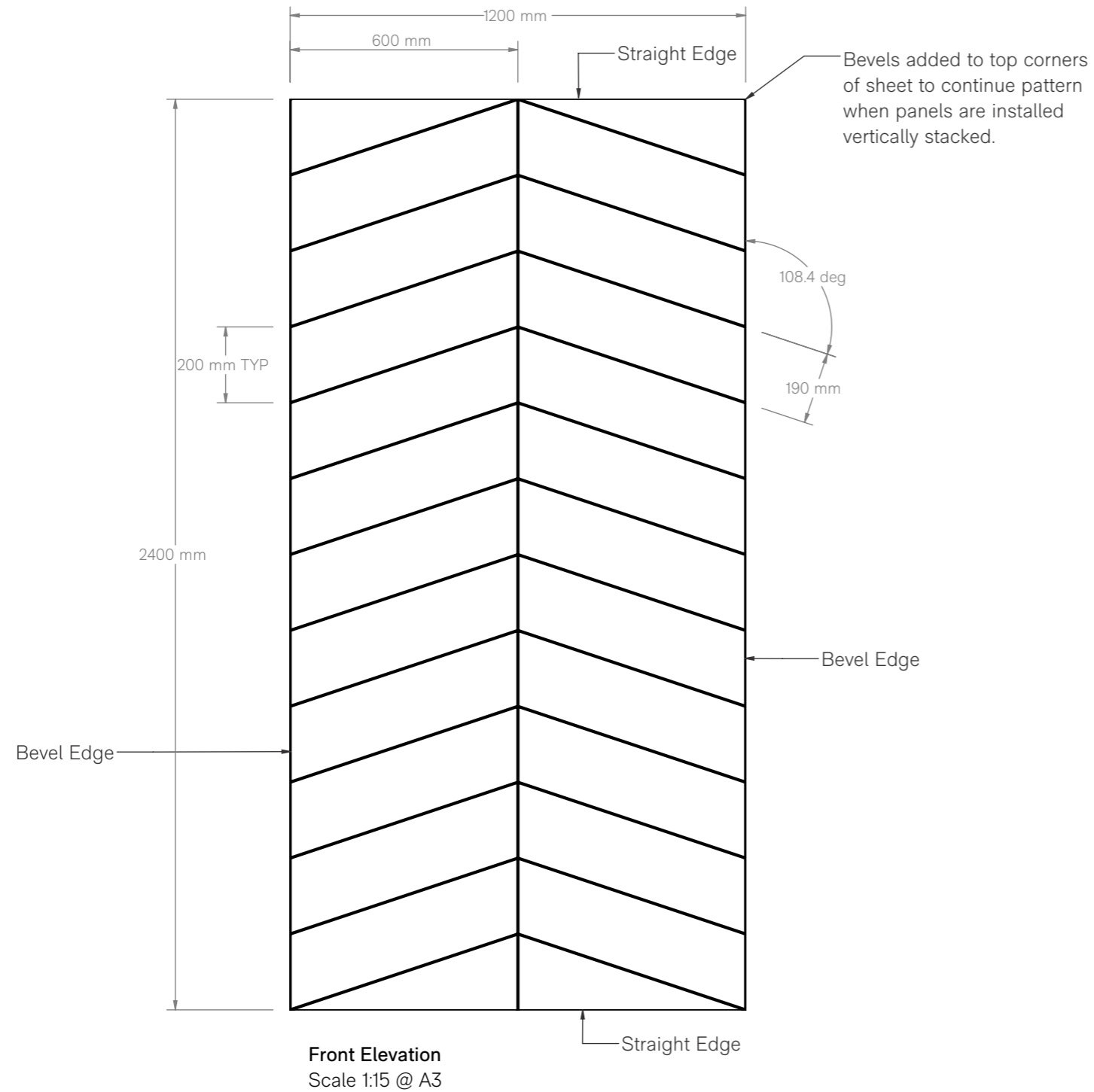


**Groove Detail**  
Scale 2:1 @ A3

Use table below to help determine dimensions above.  
Values missing from below table are not recommended

UNLESS OTHERWISE SPECIFIED ALL GROOVE TO BE  
30 DEG, AT 8 mm DEEP. AS HIGHLIGHTED ON TABLE  
BELOW

		ANGLE (deg)			
		12	30	60	90
DEPTH (mm)	1				
	2			2.4	4.1
	3			3.6	6.2
	4			4.8	8.3
	5		2.9	6.0	10.4
	6		3.4	7.2	12.4
	7		4.0	8.4	14.5
	8		4.6	9.6	16.6
	9		5.2	10.8	18.6
	10		5.7	12.0	20.7
	11	2.3	6.3	13.2	22.8
		WIDTH			

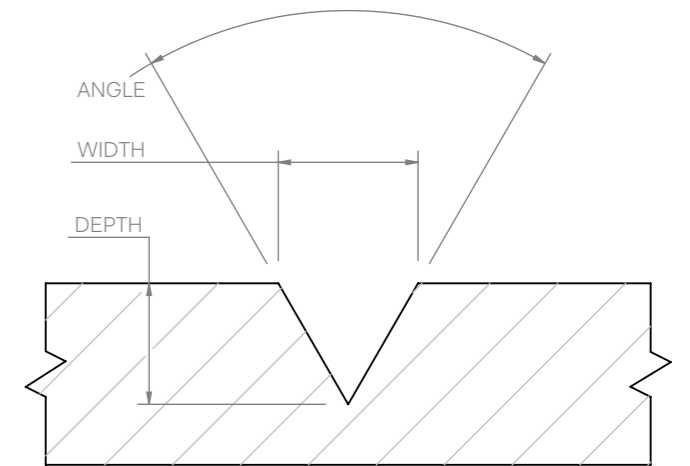
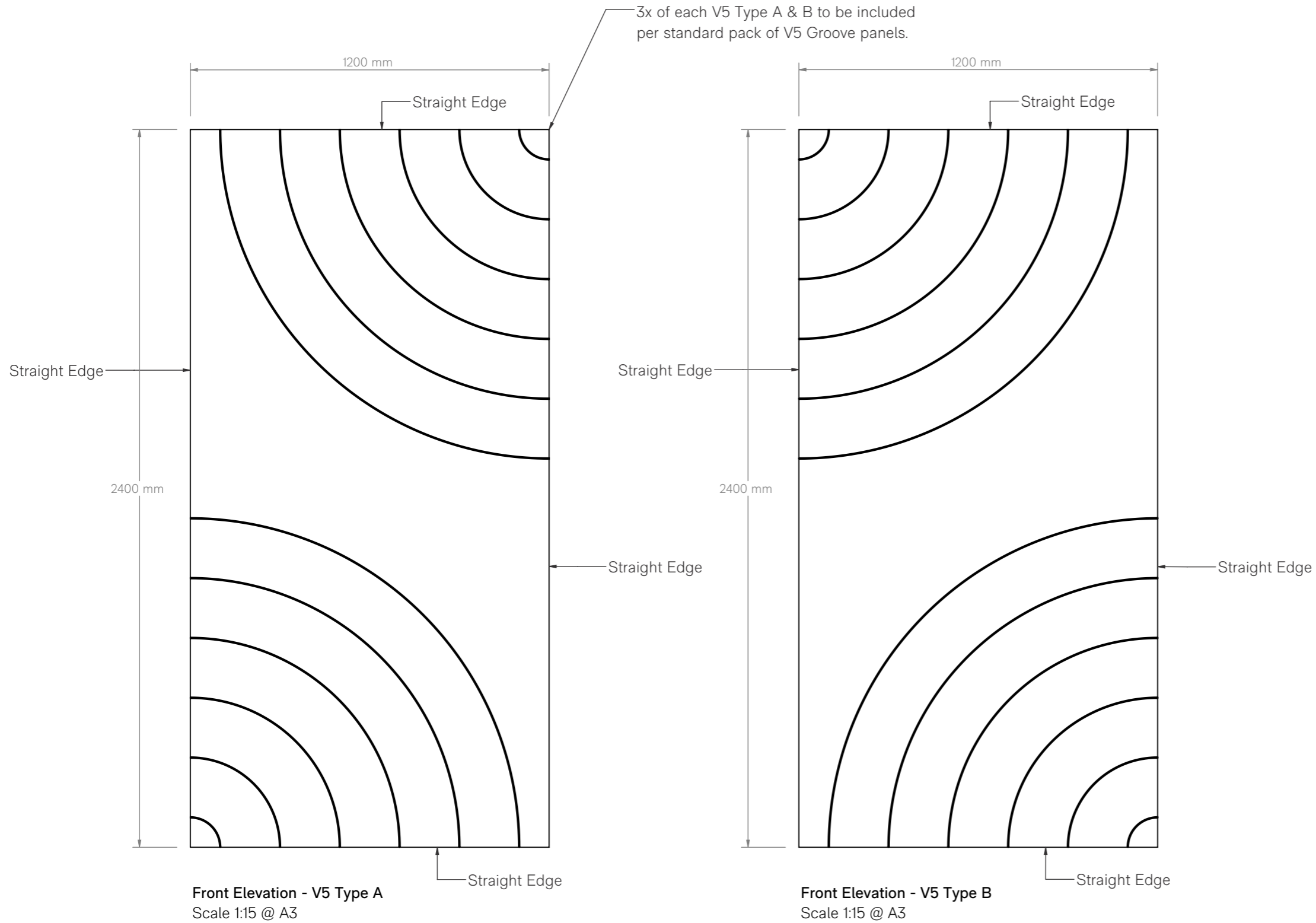


**Groove Detail**  
Scale 2:1 @ A3

Use table below to help determine dimensions above.  
Values missing from below table are not recommended

UNLESS OTHERWISE SPECIFIED ALL GROOVE TO BE 30 DEG, AT 8 mm DEEP. AS HIGHLIGHTED ON TABLE BELOW

		ANGLE (deg)			
		12	30	60	90
DEPTH (mm)	1				
	2			2.4	4.1
	3			3.6	6.2
	4			4.8	8.3
	5		2.9	6.0	10.4
	6		3.4	7.2	12.4
	7		4.0	8.4	14.5
	8		4.6	9.6	16.6
	9		5.2	10.8	18.6
	10		5.7	12.0	20.7
	11	2.3	6.3	13.2	22.8
		WIDTH			

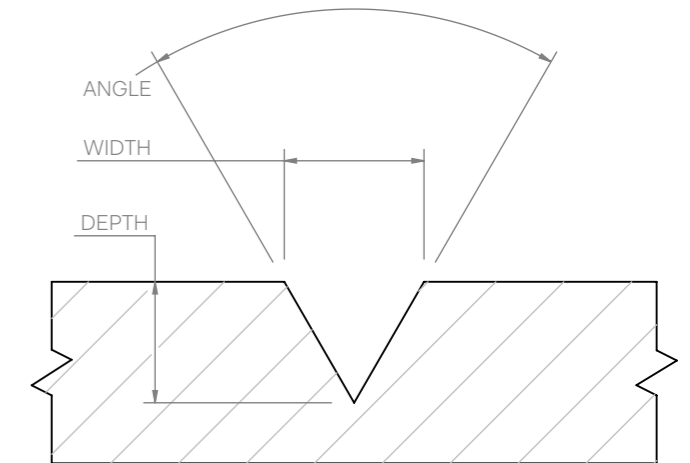
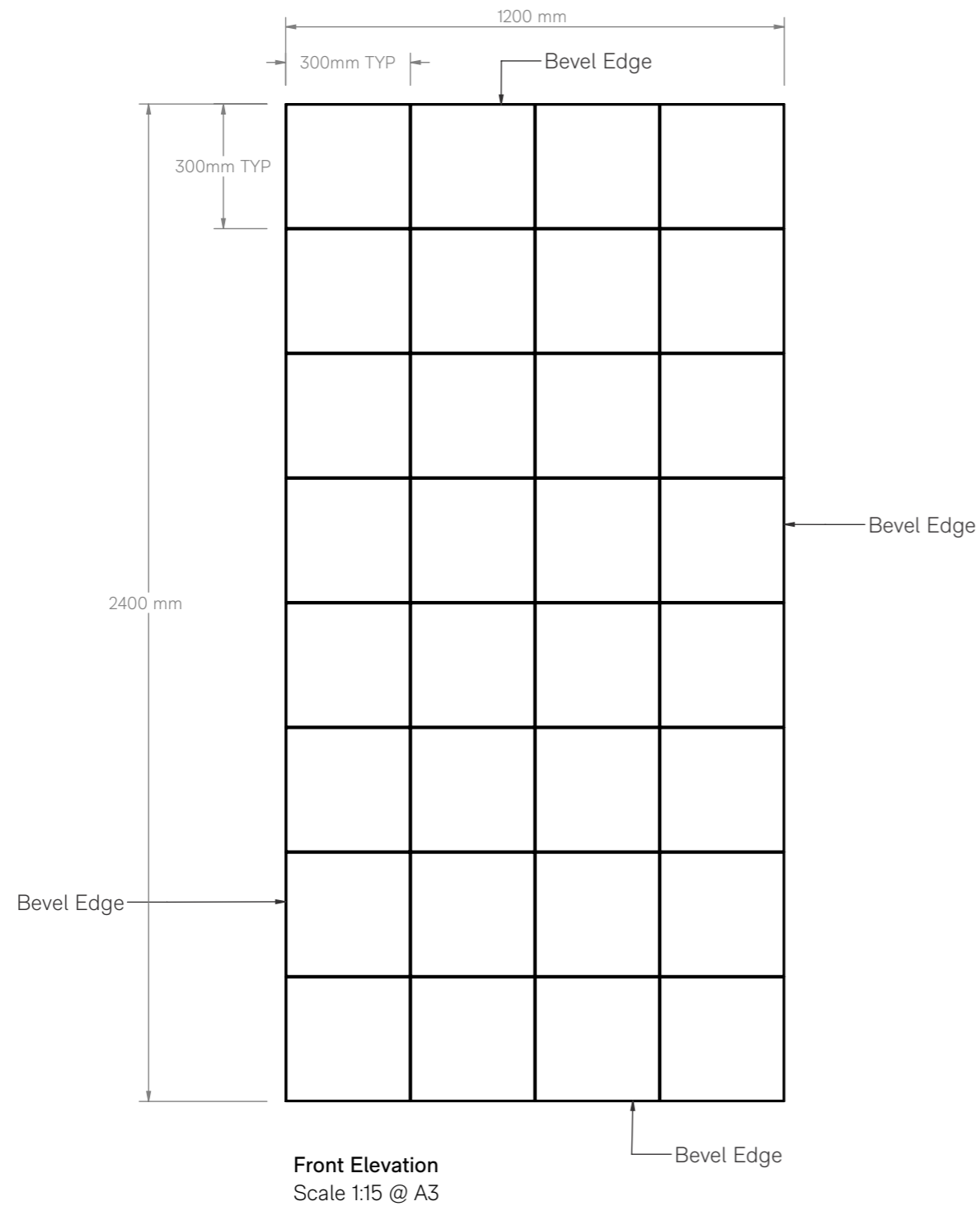


**Groove Detail**  
Scale 2:1 @ A3

Use table below to help determine dimensions above.  
Values missing from below table are not recommended

UNLESS OTHERWISE SPECIFIED ALL GROOVE TO BE  
30 DEG, AT 8 mm DEEP. AS HIGHLIGHTED ON TABLE  
BELOW

		ANGLE (deg)			
		12	30	60	90
DEPTH (mm)	1				
	2			2.4	4.1
	3			3.6	6.2
	4			4.8	8.3
	5		2.9	6.0	10.4
	6		3.4	7.2	12.4
	7		4.0	8.4	14.5
	8		4.6	9.6	16.6
	9		5.2	10.8	18.6
	10		5.7	12.0	20.7
	11	2.3	6.3	13.2	22.8
		WIDTH			

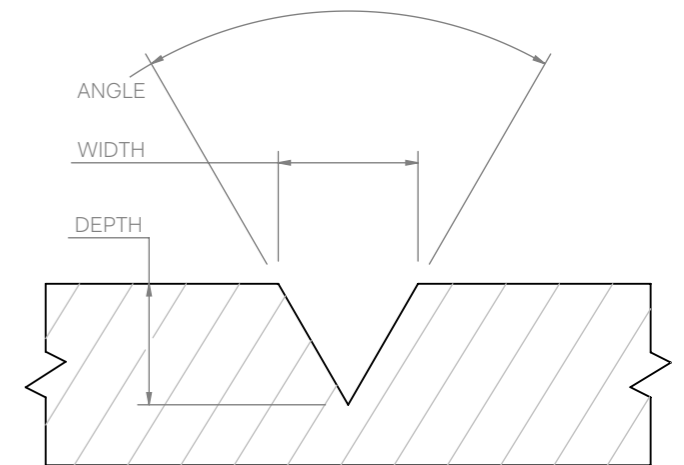
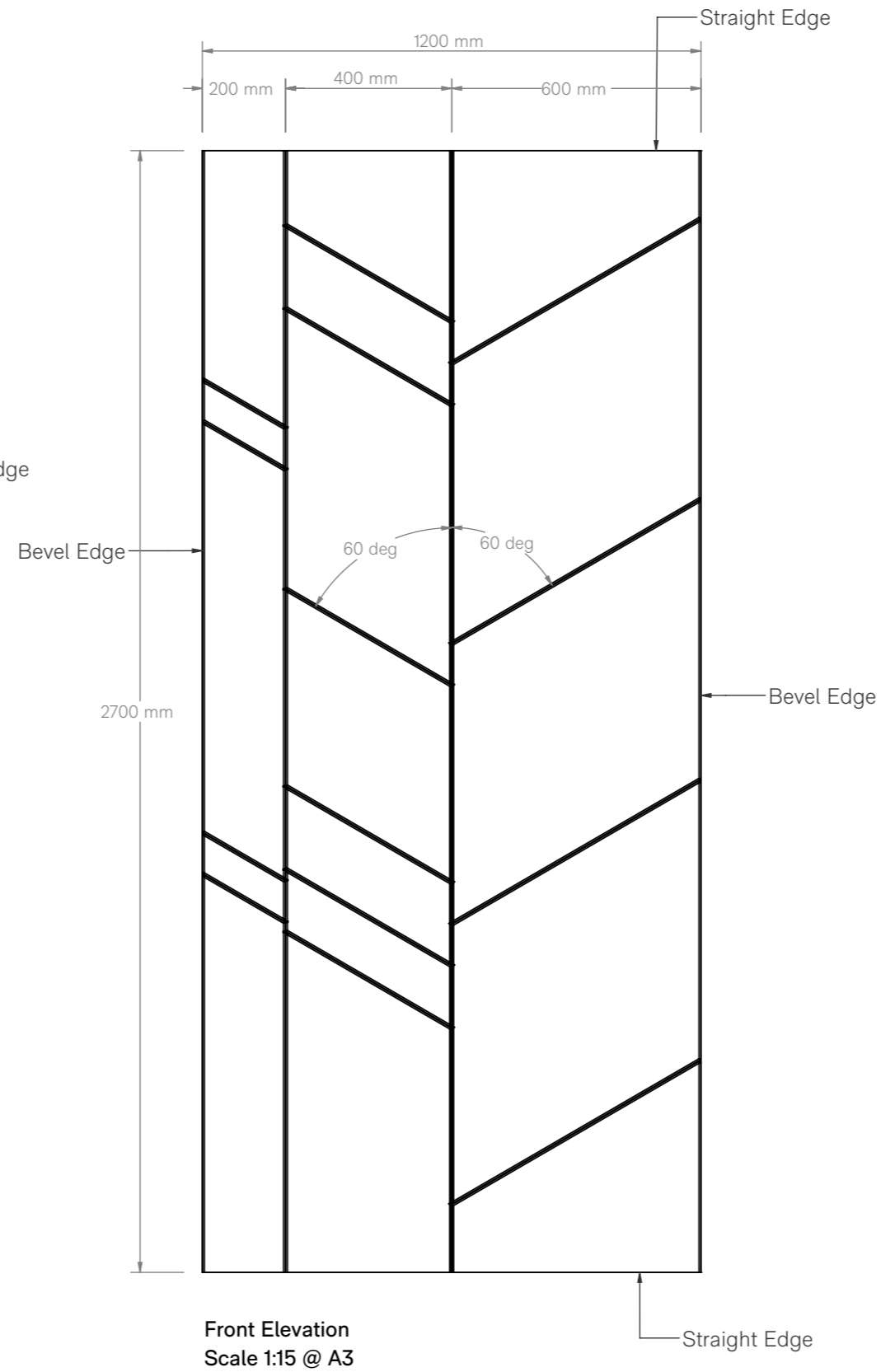
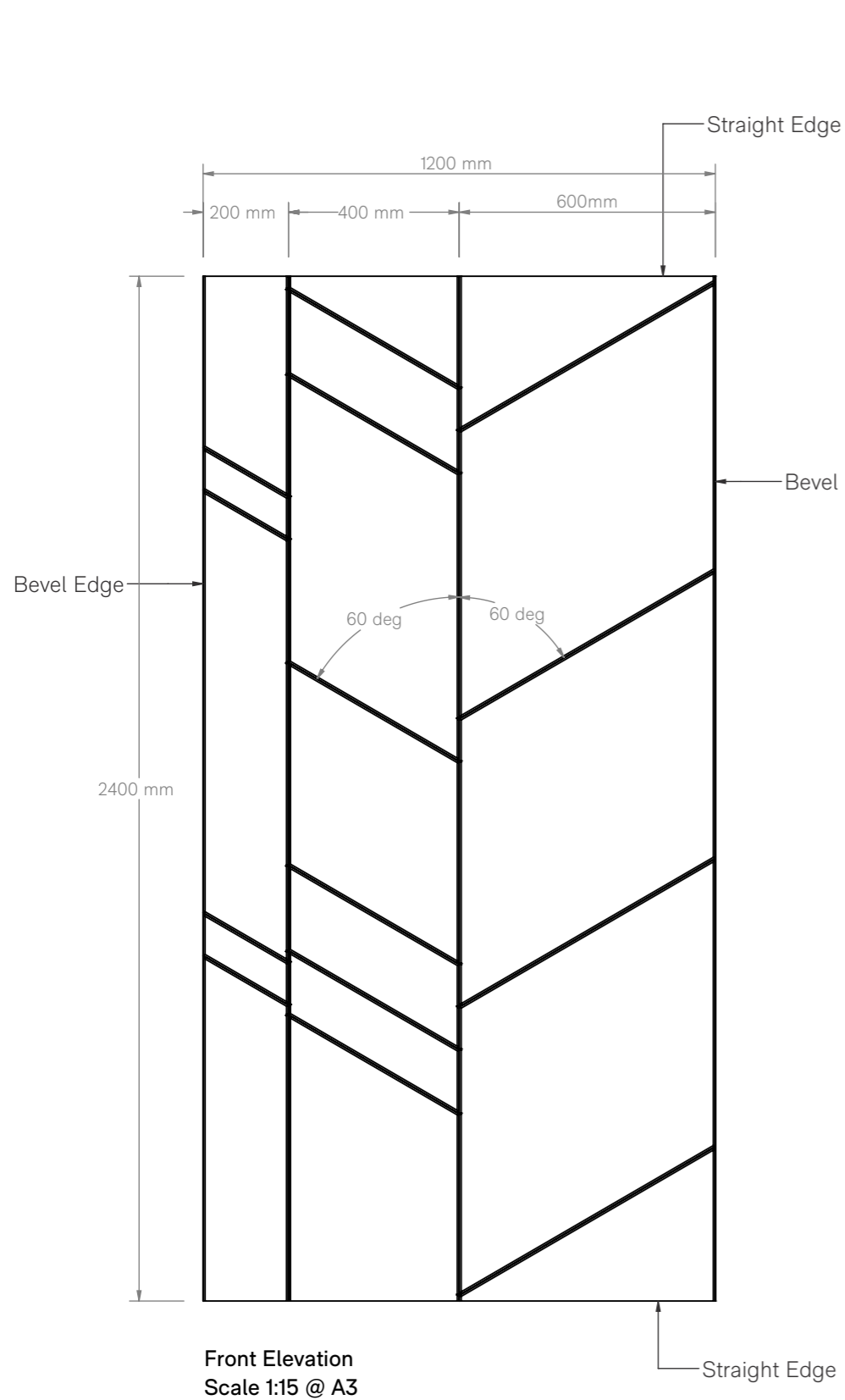


**Groove Detail**  
Scale 2:1 @ A3

Use table below to help determine dimensions above.  
Values missing from below table are not recommended

UNLESS OTHERWISE SPECIFIED ALL GROOVE TO BE  
30 DEG, AT 8 mm DEEP. AS HIGHLIGHTED ON TABLE  
BELOW

		ANGLE (deg)			
		12	30	60	90
DEPTH (mm)	1				
	2			2.4	4.1
	3			3.6	6.2
	4			4.8	8.3
	5		2.9	6.0	10.4
	6		3.4	7.2	12.4
	7		4.0	8.4	14.5
	8		4.6	9.6	16.6
	9		5.2	10.8	18.6
	10		5.7	12.0	20.7
	11	2.3	6.3	13.2	22.8
		WIDTH			



Groove Detail  
Scale 2:1 @ A3

Use table below to help determine dimensions above.  
Values missing from below table are not recommended

UNLESS OTHERWISE SPECIFIED ALL GROOVE TO BE  
30 DEG, AT 8 mm DEEP. AS HIGHLIGHTED ON TABLE  
BELOW

		ANGLE (deg)			
		12	30	60	90
DEPTH (mm)	1				
	2			2.4	4.1
	3			3.6	6.2
	4			4.8	8.3
	5		2.9	6.0	10.4
	6		3.4	7.2	12.4
	7		4.0	8.4	14.5
	8		4.6	9.6	16.6
	9		5.2	10.8	18.6
	10		5.7	12.0	20.7
	11	2.3	6.3	13.2	22.8
		WIDTH			